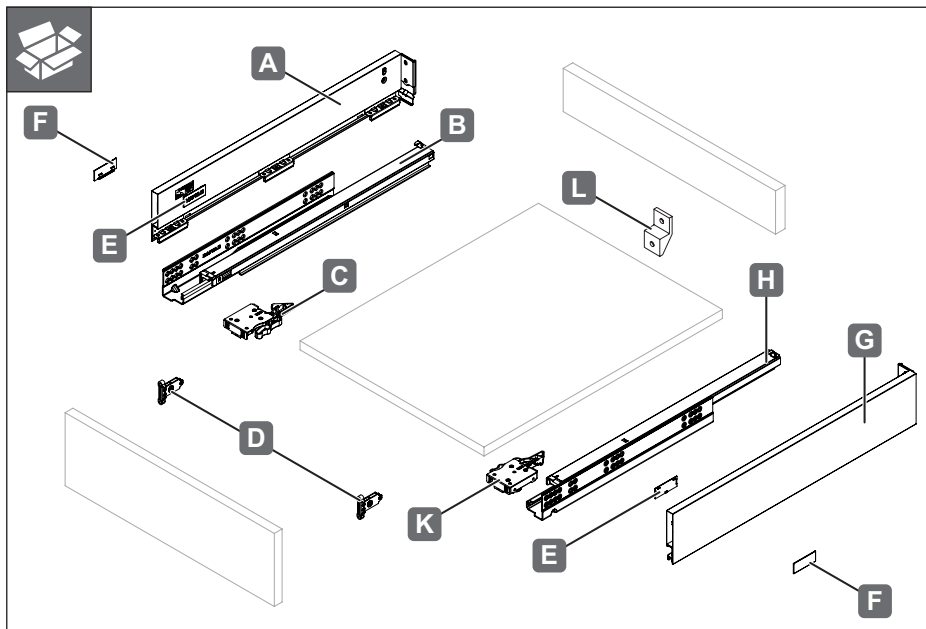
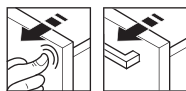
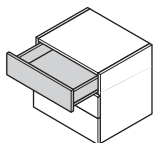




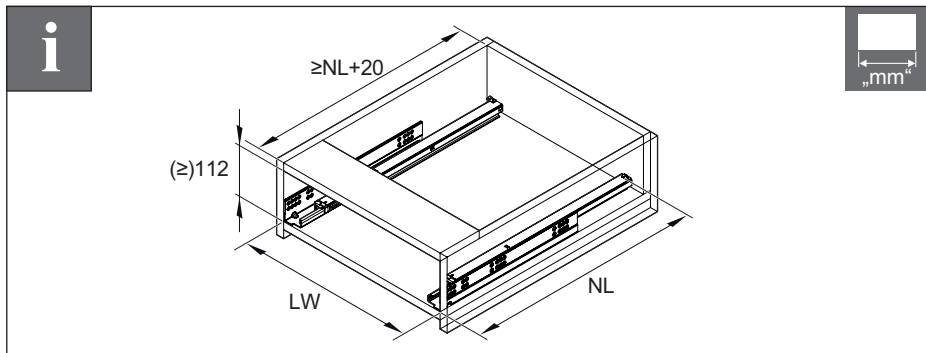
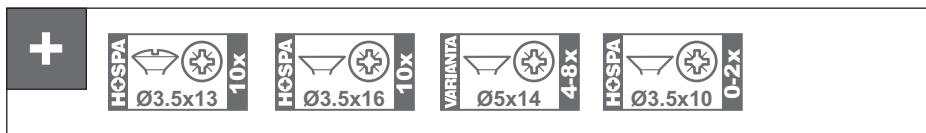
## Matrix Box Slim A H89

552.21.45x  
552.21.55x  
552.21.75x

552.21.46x  
552.21.56x  
552.21.76x



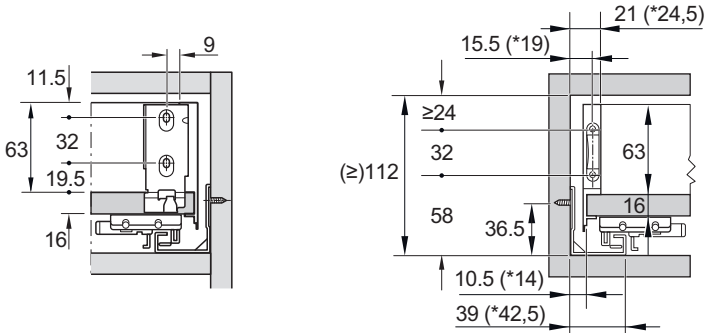
732.25.036



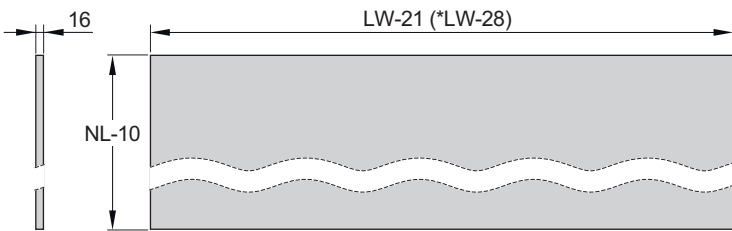
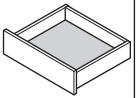
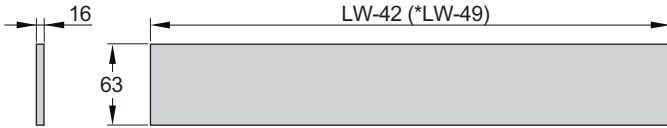
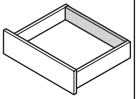
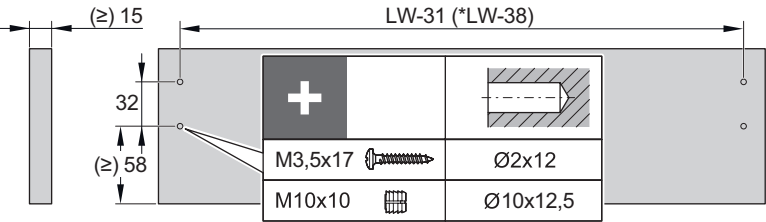
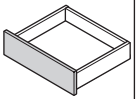
HDE 11.03.2022



\* for 19mm Matrix Runner UM A Version



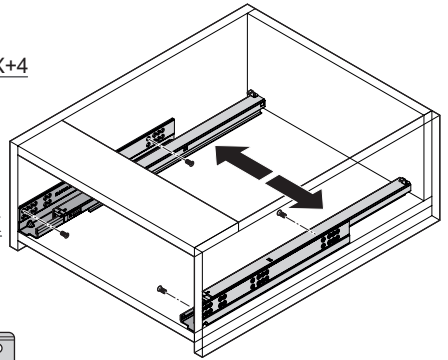
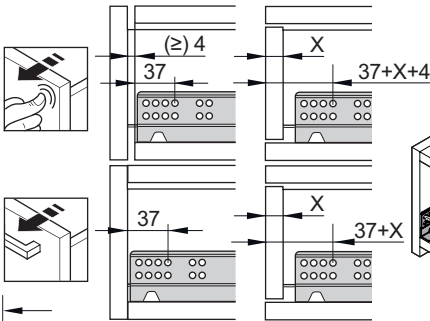
\* for 19mm Matrix Runner UM A Version



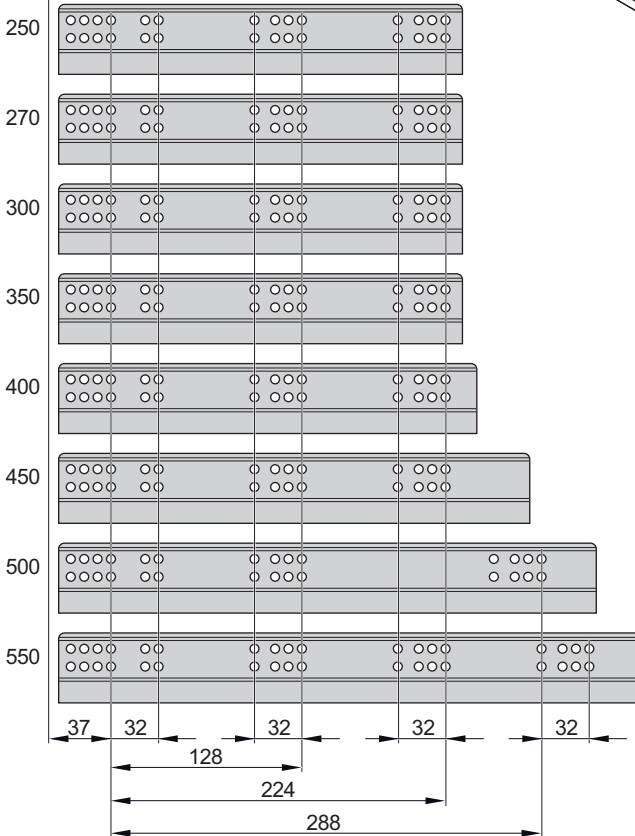
732.25.036

HDE 11.03.2022

1





NL





732.25.036


HDE 11.03.2022


**2**  PZ2

**HCSPA**  4x

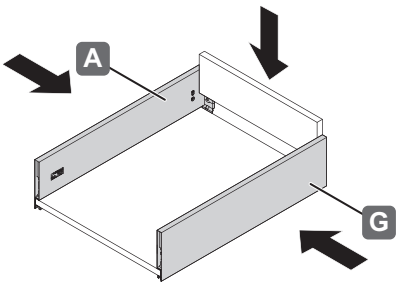
**HCSPA**  0-2x

**HCSPA**  4x


 M10x10  
4x

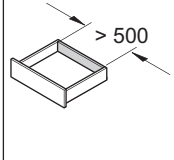
 „mm“


**1**



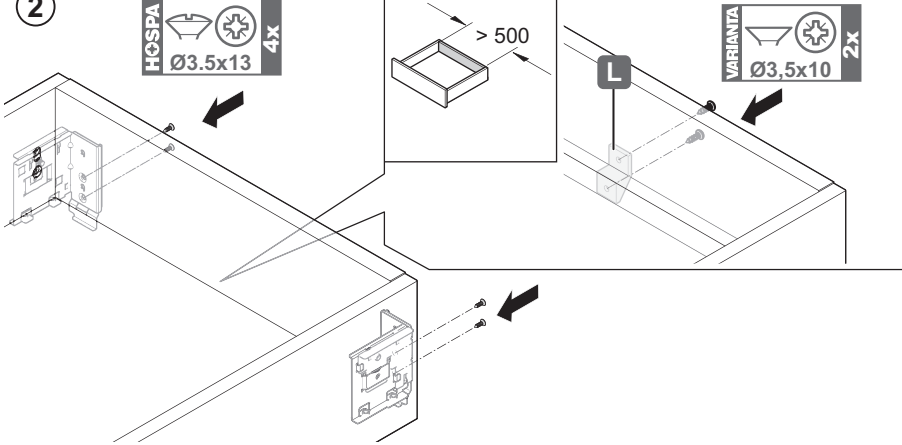
**2**

**HCSPA**  4x


 > 500


**VARIANTA**  2x

**L**

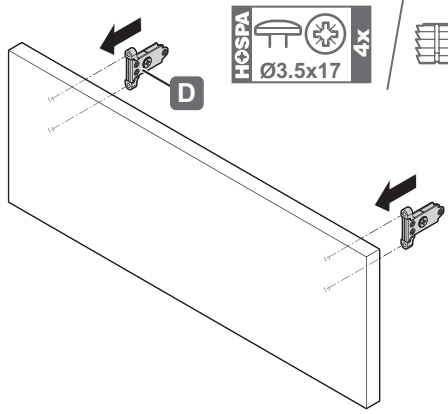


**3**

**HCSPA**  4x

 M10x10  
4x

**D**



732.25.036

HDE 11.03.2022

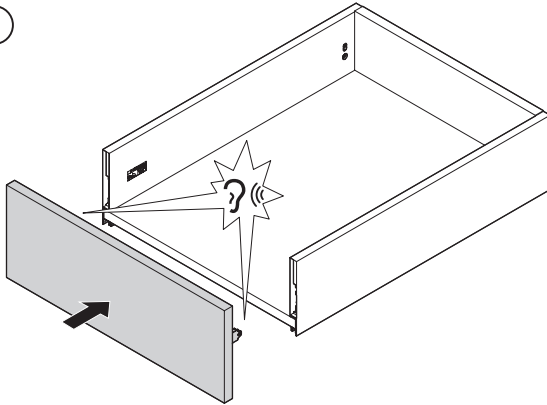
3



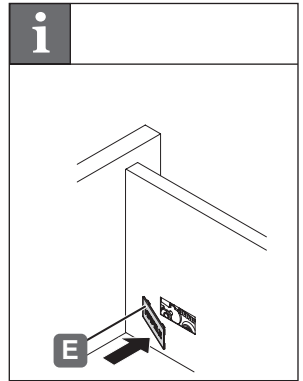
PZ2



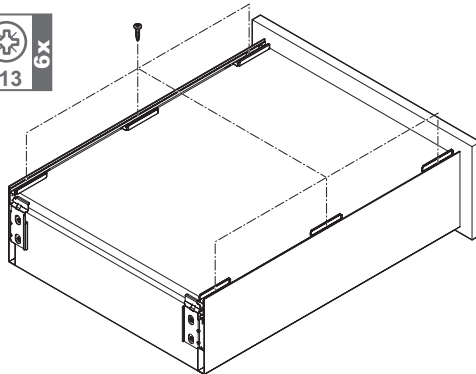
1



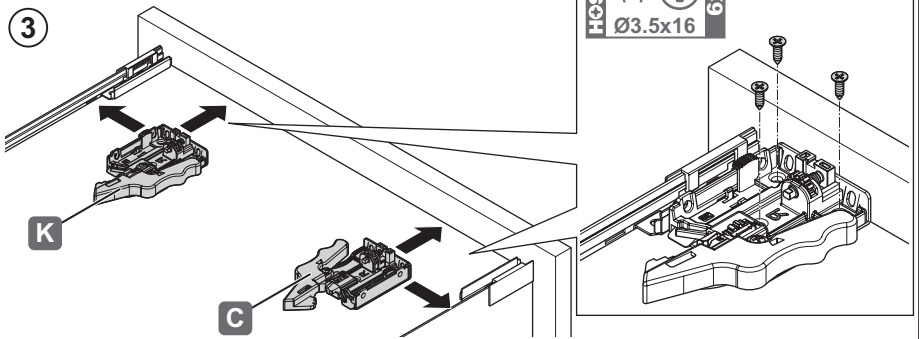
i



2



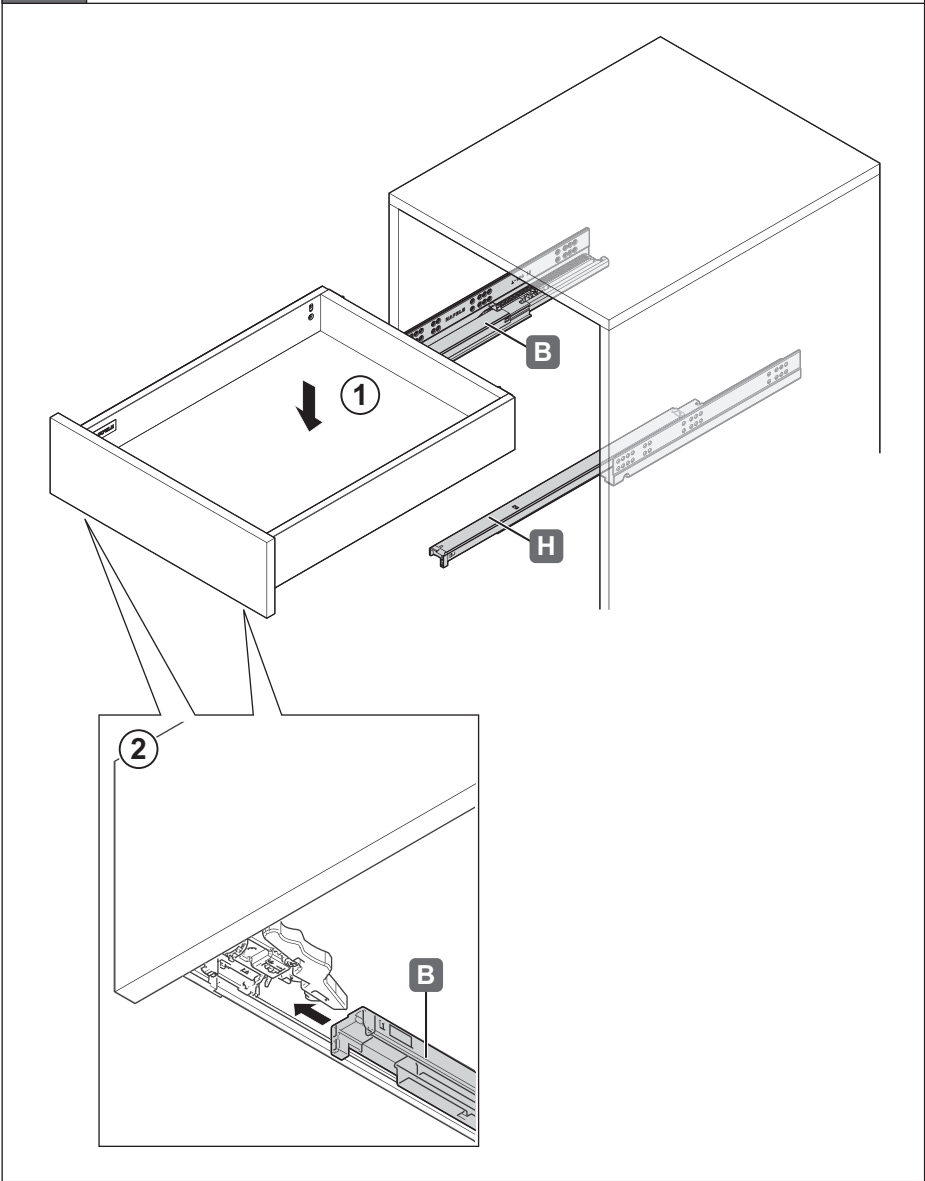
3



732.25.036

HDE 11.03.2022

4



732.25.036

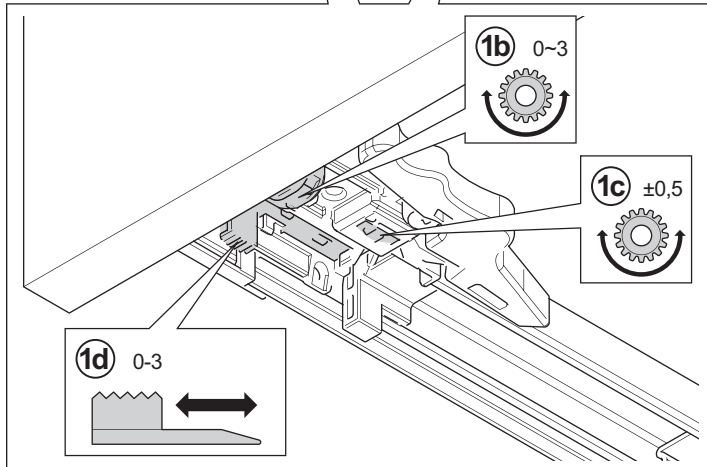
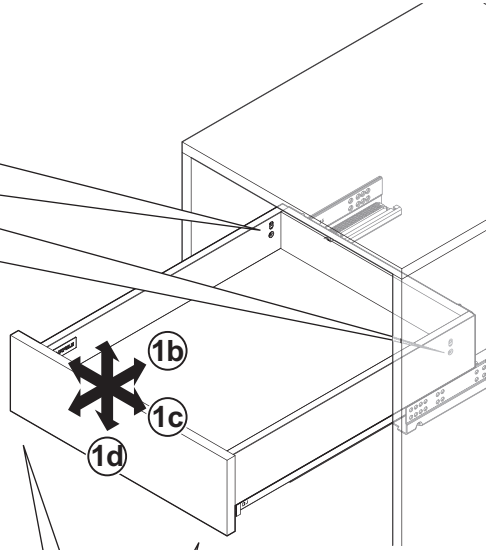
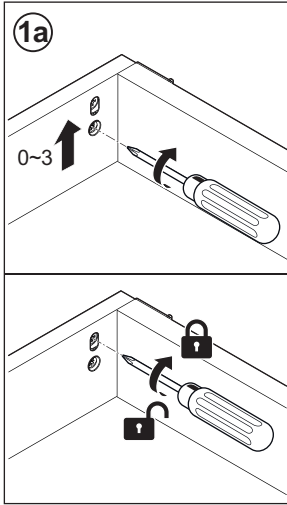
HDE 11.03.2022



PZ2



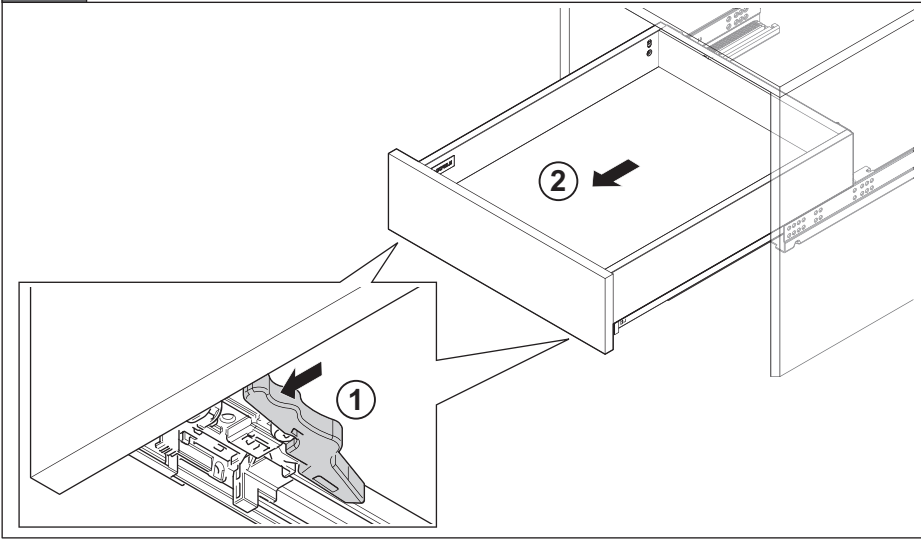
732.25.036



HDE 11.03.2022



1

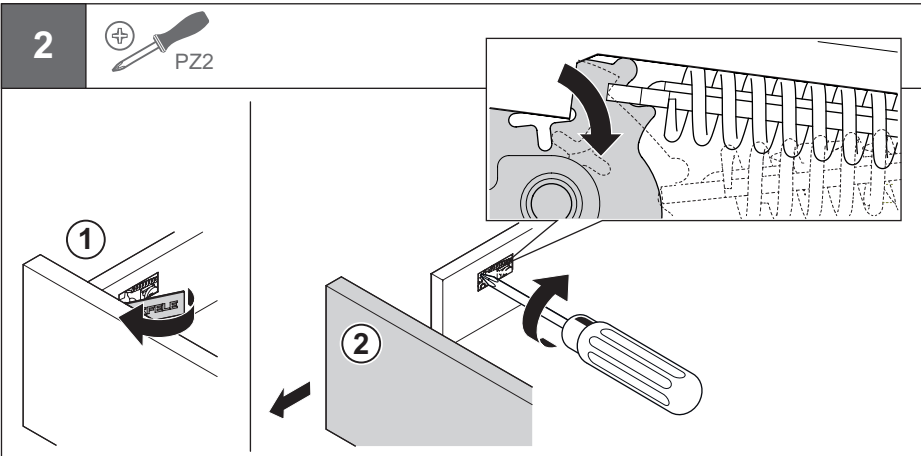


732.25.036

2



PZ2



HDE 11.03.2022